

**ZS CONTROL CORP**

Title: **FIXED WIRELESS TERMINAL (FWT) - MODEL ZSFWT**

Module: **MAIN**

Revision: **A.1**

Size: **B**

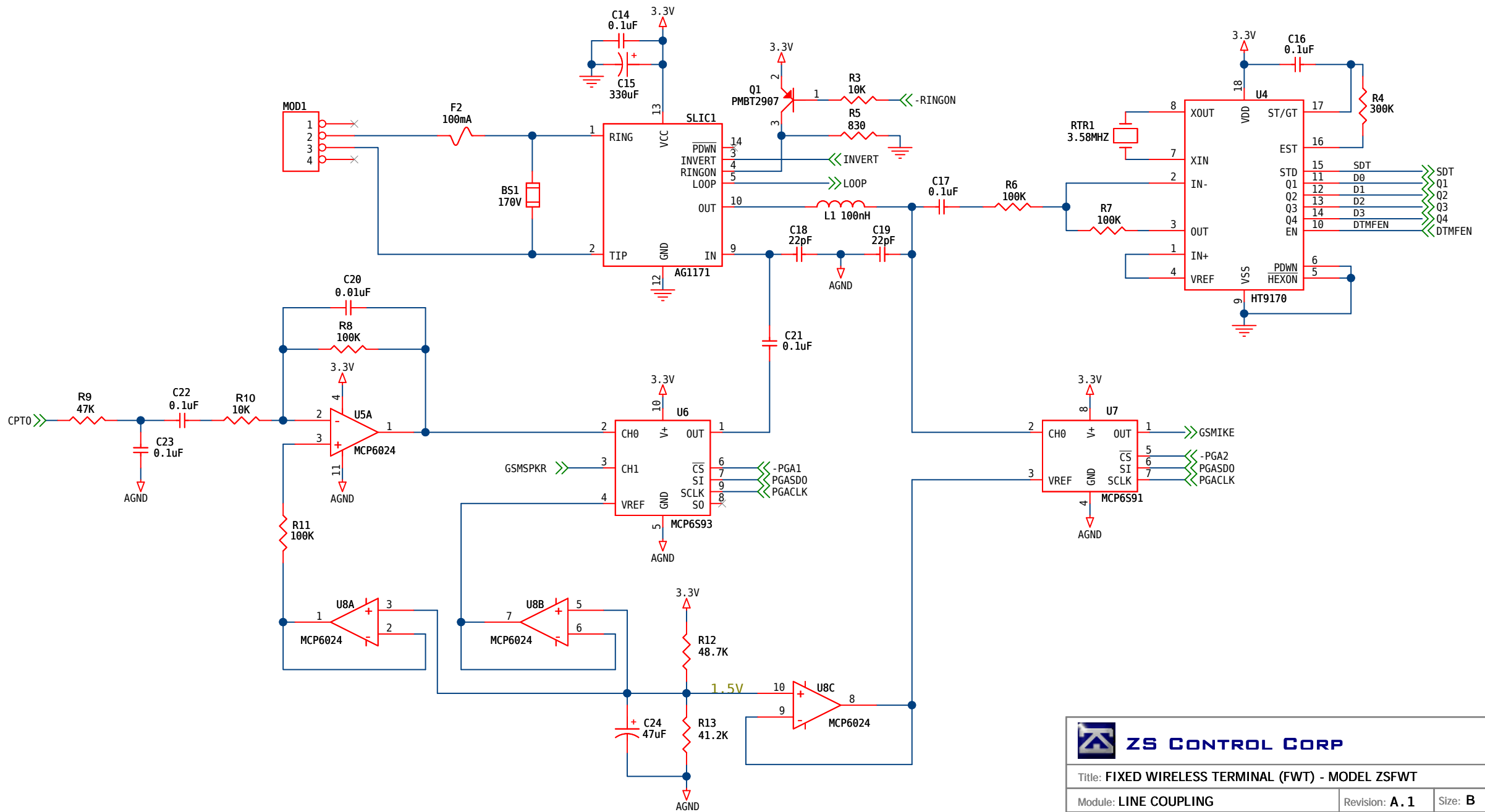
Date: **Tuesday, January 04, 2011**

Sheet **1** of **4**

Scale: **1:1**

Design: **Felipe Alameda Alvarado**

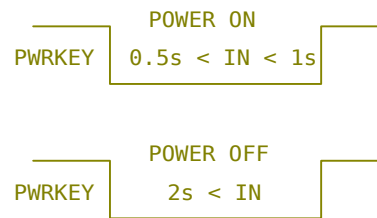
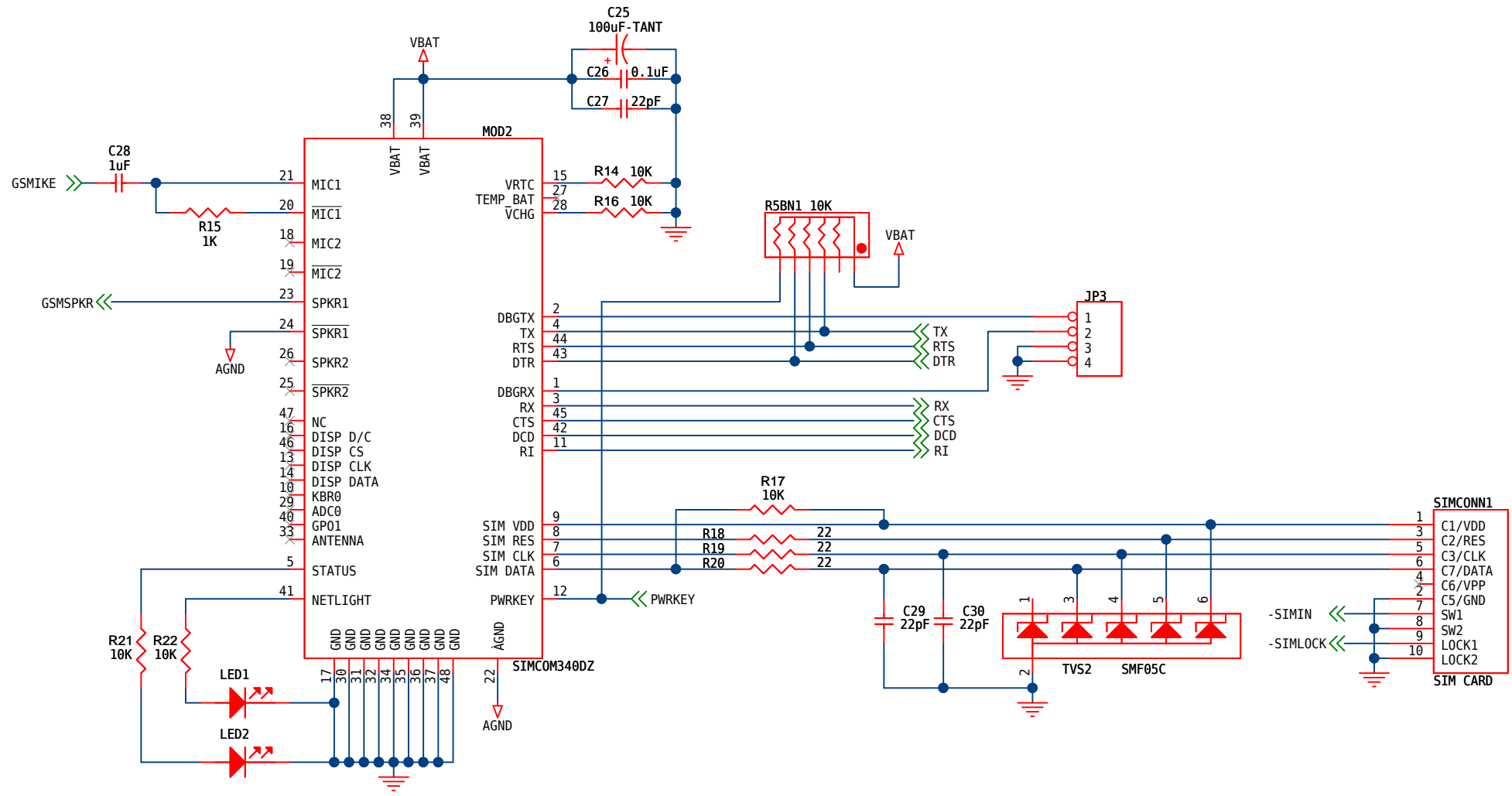
Copyright ©2004 Felipe Alameda Alvarado



**ZS CONTROL CORP**

Title: **FIXED WIRELESS TERMINAL (FWT) - MODEL ZSFWT**

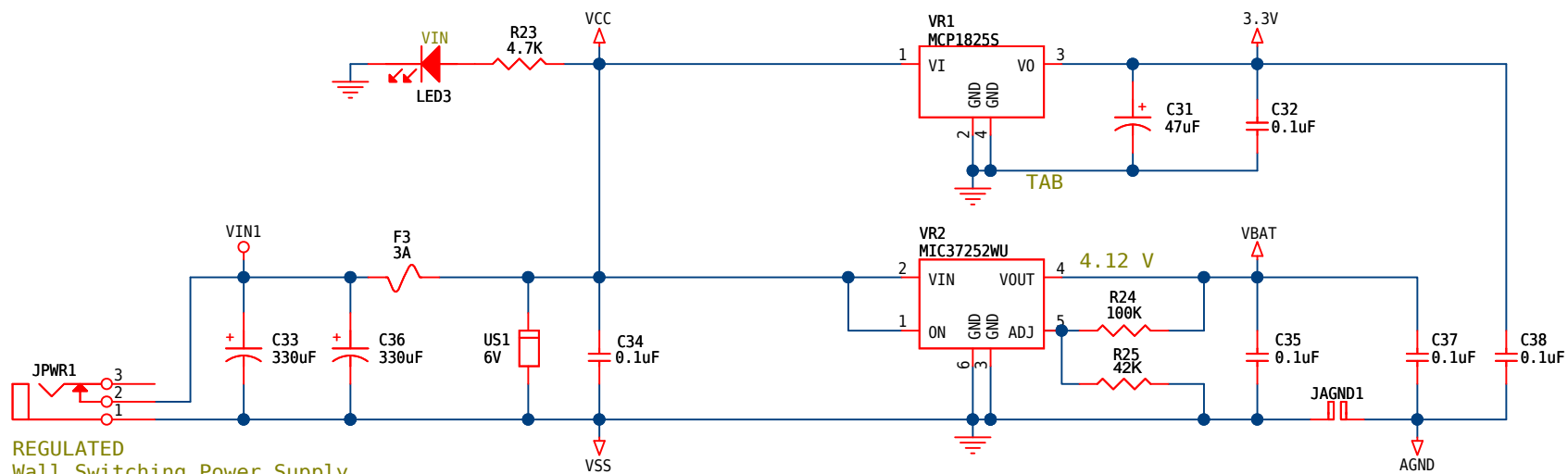
Module: <b>LINE COUPLING</b>	Revision: <b>A. 1</b>	Size: <b>B</b>
Date: <b>Tuesday, January 04, 2011</b>	Sheet <b>2</b> of <b>4</b>	Scale: <b>1:1</b>
Design: <b>Felipe Alameda Alvarado</b>		Copyright ©2004 Felipe Alameda Alvarado



**ZS CONTROL CORP**

Title: FIXED WIRELESS TERMINAL (FWT) - MODEL ZSFWT

Module: GSM	Revision: A.1	Size: B
Date: Tuesday, January 04, 2011	Sheet 3 of 4	Scale: 1:1
Design: Felipe Alameda Alvarado		Copyright ©2004 Felipe Alameda Alvarado



REGULATED  
 Wall Switching Power Supply  
 JACK = 5.5 mm Diameter X 2.1mm Hole  
 CUI 5V - 2.5A  
 DIGIKEY PART No T1022-P5P-ND

 <b>ZS CONTROL CORP</b>		
Title: FIXED WIRELESS TERMINAL (FWT) - MODEL ZSFWT		
Module: POWER SUPPLY	Revision: A. 1	Size: B
Date: Tuesday, January 04, 2011	Sheet 4 of 4	Scale: 1:1
Design: Felipe Alameda Alvarado	Copyright ©2004 Felipe Alameda Alvarado	